



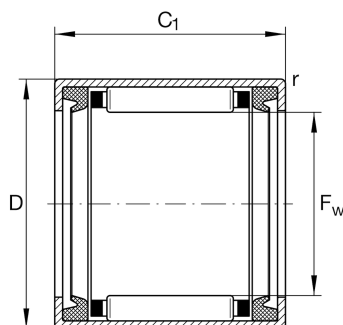
HK3520-2RS

Drawn cup needle roller bearing open end

Schaeffler ID:
0007909580968

Drawn cup needle roller bearings with open ends HK..-2RS, lip seals on both sides, to DIN 618

Technical information



Main Dimensions & Performance Data

F_w	35 mm	Under roller diameter
D	42 mm	Outside diameter
C	20 mm	Width
C_r	18,700 N	Basic dynamic load rating, radial
C_{0r}	33,500 N	Basic static load rating, radial
C_{ur}	4,450 N	Fatigue load limit, radial
n_G	4,500 1/min	Limiting speed
$n_{G Grease}$	4,500 1/min	Limiting speed for grease lubrication
	41.09 g	Weight

Dimensions

C_1	20 mm	Width, outer ring
r_{min}	0.8 mm	Minimum chamfer dimension
	LR30X35X20,5	Suitable inner rings LR
	IR30X35X20-XL	Suitable inner rings IR

Temperature range

T_{min}	-20 °C	Operating temperature min.
T_{max}	100 °C	Operating temperature max.